

## MG Star Sailor Entry Door Lock

### Features

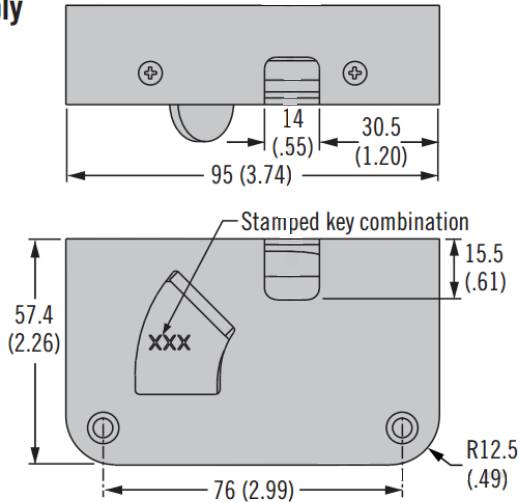
- Suitable for 12mm and 22mm entry door thicknesses
- Provide high-end security with the Star Key Lock system's three-axis six-pin tumbler design
- Optional spacer (MG-05-115):
  - Use with MG-05-733-24 to enable 10mm door thickness
  - Use with MG-05-736-24 to enable 20mm door thickness

### Material

- Lock case: Stainless steel
- Star plug: Brass
- Spring: 316 stainless steel
- Screws: 316 stainless steel



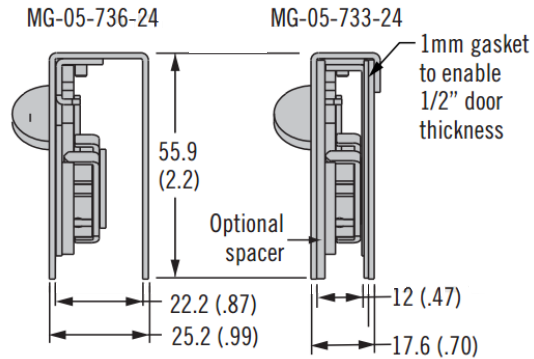
### Assembly



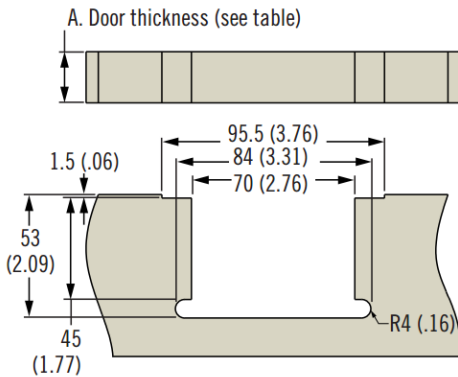
**MG - 05 - 73 C - 24**

**C** Door Thickness (A)

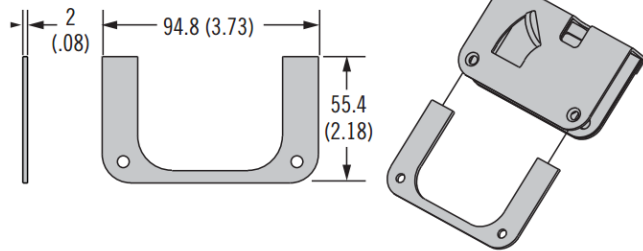
- 3 12mm (.5)
- 6 22mm (.86)



### Panel Preparation



### Optional Spacer (2mm)



### Strikers - Accessories

Day key, black (for secure only)		MF-96-XXX-41
Striker, anodized aluminum		MG-90-102-60
Striker, anodized black		MG-90-102-50
Eyelet striker, stainless steel		MG-90-103-24

Eyelet striker, offcenter, stainless steel		MG-90-104-24
Spacer for 10mm (3/8") door thickness		MG-92-100-50
P-striker, anodized aluminum		MG-90-105-50
P-striker, anodized, black		MG-90-105-61